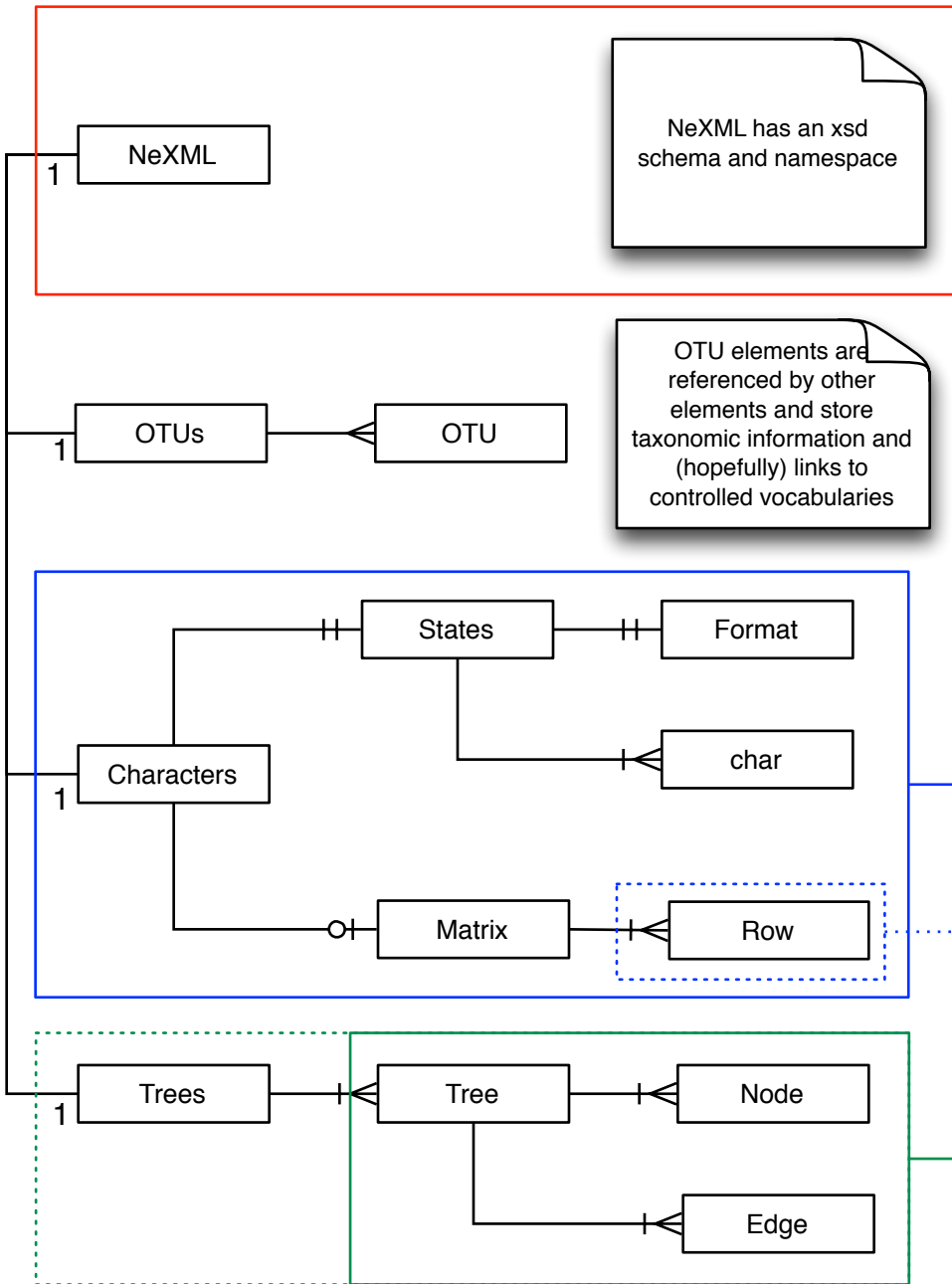


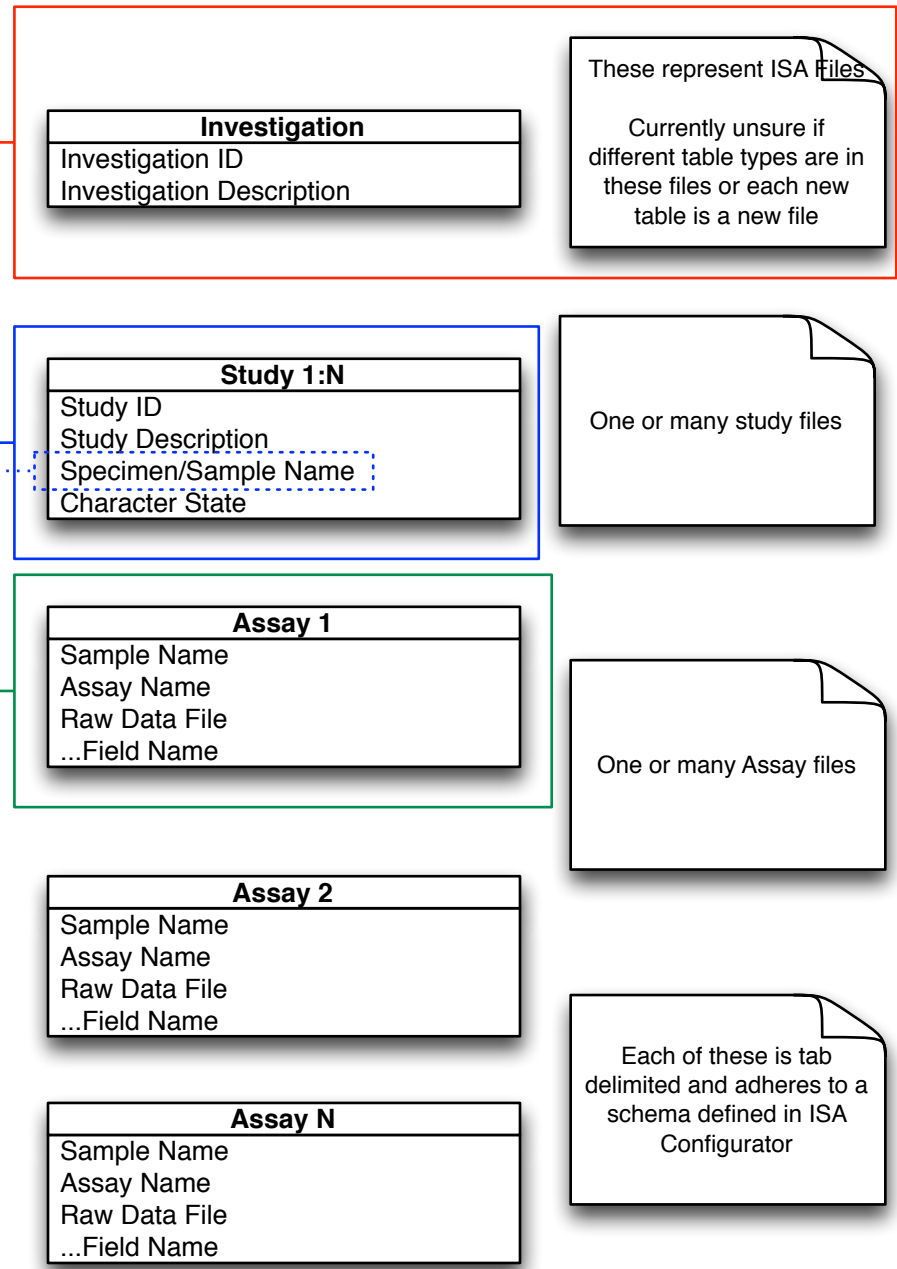
NeXML Overview



NeXML has an xsd schema and namespace

OTU elements are referenced by other elements and store taxonomic information and (hopefully) links to controlled vocabularies

ISAtab Overview



These represent ISA Files
Currently unsure if different table types are in these files or each new table is a new file

One or many study files

One or many Assay files

Each of these is tab delimited and adheres to a schema defined in ISA Configurator